

# Technical data sheet

## Product features



### Cooling cabinet 700 l LED light, GN 2/1, stainless steel

<b>Model</b>	<b>SAP Code</b>	00012361
--------------	-----------------	----------



- GN / EN size in device: GN 2/1
- Chamber volume [l]: 458
- Minimum device temperature [°C]: -2
- Maximum device temperature [°C]: 7
- Insulation thickness [mm]: 90
- Control type: Digital
- Interior lighting: Yes
- Door lock: Yes
- Automatic defrost: Yes
- HACCP: Yes
- Annual energy consumption [kWh]: 332

<b>SAP Code</b>	00012361	<b>Chamber volume [l]</b>	458
<b>Net Width [mm]</b>	847	<b>Number of internal parts</b>	3
<b>Net Depth [mm]</b>	733	<b>Number of GN / EN</b>	24
<b>Net Height [mm]</b>	2090	<b>GN / EN size in device</b>	GN 2/1
<b>Net Weight [kg]</b>	118.00	<b>Minimum device temperature [°C]</b>	-2
<b>Power electric [kW]</b>	0.130	<b>Maximum device temperature [°C]</b>	7
<b>Loading</b>	230 V / 1N - 50 Hz	<b>Refrigerant</b>	R290

# Technical data sheet

Technical drawing



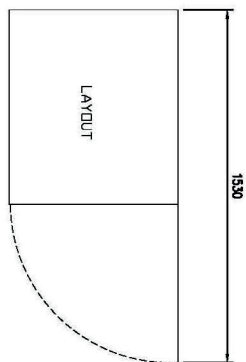
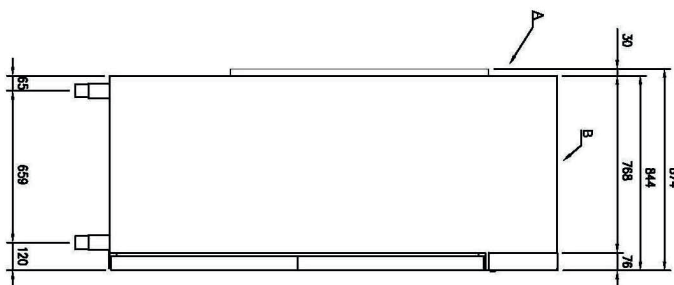
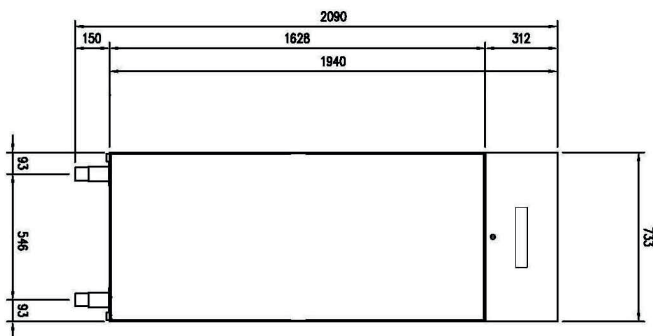
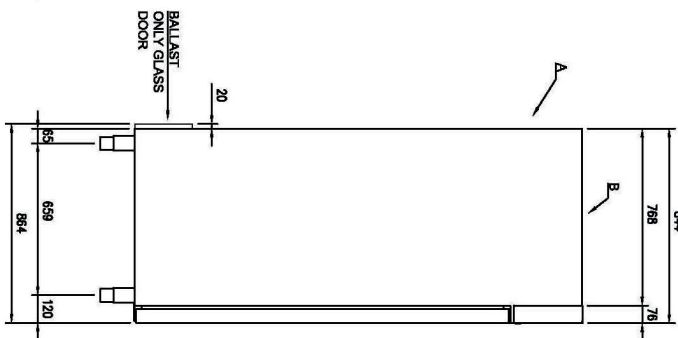
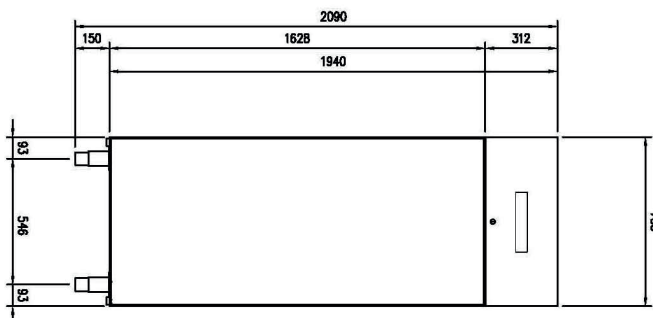
Cooling cabinet 700 l LED light, GN 2/1, stainless steel

Model

SAP Code

00012361

A= ELECTRICAL CONNECTION SCHUKO  
B= GAS CONNECTION ø8 ø10



# Technical data sheet

## Product benefits



### Cooling cabinet 700 l LED light, GN 2/1, stainless steel

<b>Model</b>	<b>SAP Code</b>	00012361
--------------	-----------------	----------

- 1 Insulation 90mm**
  - minimal losses
  - energy saving
- 2 Two-sided opening**
  - location variability
  - greater operational efficiency
  - better kitchen ergonomics
- 3 All-stainless design**
  - corrosion resistance
  - longer service life
  - health safety
- 4 Automatic defrosting**
  - nothing needs to be watched
  - always working properly without extra operator requirements
- 5 Wheels, legs**
  - variability
  - user comfort
- 6 High energy class**
  - minimal energy loss
  - high efficiency
  - guaranteed chilled food
  - cost saving
  - hygienic safety

# Technical data sheet

Technical parameters



Cooling cabinet 700 l LED light, GN 2/1, stainless steel

Model

SAP Code

00012361

**1. SAP Code:**

00012361

**2. Net Width [mm]:**

847

**3. Net Depth [mm]:**

733

**4. Net Height [mm]:**

2090

**5. Net Weight [kg]:**

118.00

**6. Gross Width [mm]:**

763

**7. Gross depth [mm]:**

873

**8. Gross Height [mm]:**

2170

**9. Gross Weight [kg]:**

130.43

**10. Device type:**

Electric unit

**11. Power electric [kW]:**

0.130

**12. Loading:**

230 V / 1N - 50 Hz

**13. Refrigerant:**

R290

**14. Material:**

AISI 304

**15. Device color:**

Stainless steel

**16. Max ambient temperature [Å°C]:**

40

**17. Device properties 2:**

Cooling

**18. GN / EN size in device:**

GN 2/1

**19. Number of internal parts:**

3

**20. Number of GN / EN:**

24

**21. Chamber volume [l]:**

458

**22. Adjustable feet:**

Yes

**23. Insulation thickness [mm]:**

90

**24. Number of doors:**

1

**25. Unit:**

Yes

**26. Control type:**

Digital

**27. Door lock:**

Yes

**28. Interior lighting:**

Yes

# Technical data sheet

Technical parameters



Cooling cabinet 700 l LED light, GN 2/1, stainless steel

Model

SAP Code

00012361

**29. HACCP:**

Yes

**32. Maximum device temperature [°C]:**

7

**30. Annual energy consumption [kWh]:**

332

**33. Automatic defrost:**

Yes

**31. Minimum device temperature [°C]:**

-2